



RECORDING MONITORS FOR THE REAL WORLD™

ULTRA COMPACT AUDIO REFERENCE MONITORS

5C SUPER-SOUND-CUBE™

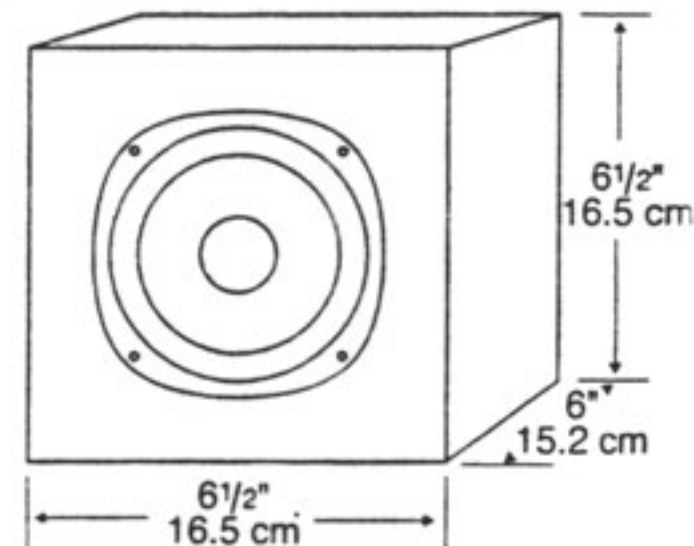
World standard mixdown/comparative recording monitor and powerful extension speaker. Low resonance Super-Acousticwood™ enclosure finished with scratch resistant textured black vinyl with optional removable black fabric grille. Styled for modern studio decor.

DRIVER: 5" (127 mm) paper cone full-range with half-roll treated fabric surround, 1" (25.4 mm) dia. heat resistant voice coil. Non-shielded or Video-Shielded™ Magnet.

IMPEDANCE: 8 ohms; **POWER HANDLING:** 50 watts program; **SENSITIVITY:** 90 dB 1W/1M.

FREQUENCY RESPONSE: Anechoic on axis: 140-12,500 Hz :3½ dB.

SHIPPING WT.: Approximately 14 lbs. (6.4 kg) pair.



AURATONE CORPORATION • P.O. BOX 180698 • CORONADO, CA 92178 • USA
619-297-2820 • FAX 619-296-8734

Subject to change without notice.